

DATA SHEET **LEDVANCE® LED Floodlight Pro Gen2**



The LEDVANCE® Floodlight LED PRO has improved the traditional floodlight luminaire into a more stylish, rugged, flexible and high performance light source. The series comes in three different sizes and wattages in one piece high grade die-cast aluminum housing and heat sink. With its high efficiency LED and long lifetime, it is intended to replace traditional high pressure sodium and metal halide floodlights, and maximizes energy savings and reduce maintenance costs. The robust IP65 and IK08 design enables it to be used for various outdoor applications.

Product Features & Benefits

- Available in 3 lumen packages
- SMD LED design to maximize product liability
- CRI >80
- High system efficiency up to 90lm/W
- Standard CCT: 6500K & 3000K
- IP safe high efficiency LEDs ensure system liability and legal risks free
- One piece compact high grade die-cast aluminum housing and heat sink
- Elegant slim design reduces windage
- Tempered frosted front glass to increase uniformity
- IP65 water and dust proof
- IK08 vandal-protected
- Long 30,000hr lifetime reduces maintenance costs
- Pre-wired with mains cable
- Safety compliance certificates: CQC & CB

Application Areas:

- Architecture and landscape lighting
- Industrial warehouses lighting
- Billboard and advertising lighting
- Security, amenity and parking area lighting
- Spots lighting

General Specifications

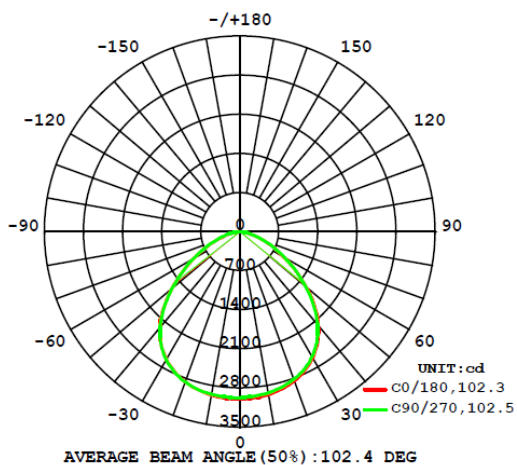
LEDVANCE® LED Floodlight PRO Gen2				
Electrical Data	Wattage	70W	100W	150W
	Voltage range	220 - 240VAC		
	Power factor	0.90		
	Input Current (max) mA	338	480	725
	Line frequency	50/60Hz		
	Protection class	Class I		
Optical / Photometric	Rated lumens	6300	9000	13500
	Beam angle	100		
	CCT (K)	3000 & 6500		
	CRI	>80		
	Lumen efficacy	90 lm/W		
	LED	SMD		
	Rated lifetime	30,000 hrs @ L70 B50 25°C		
	Operating temperature	-30 - +50°C		
	Storage temperature	-40 - +70°C		
Housing	Material	Die-cast aluminum		
	Front glass	Tempered glass		
	Heat sink	Aluminum integrated		
	Housing color	Black (RAL9017)		
	Ingress protection	IP 65		
	Shock protection	IK 08		
	Driver	Integrated		

Ordering Codes:

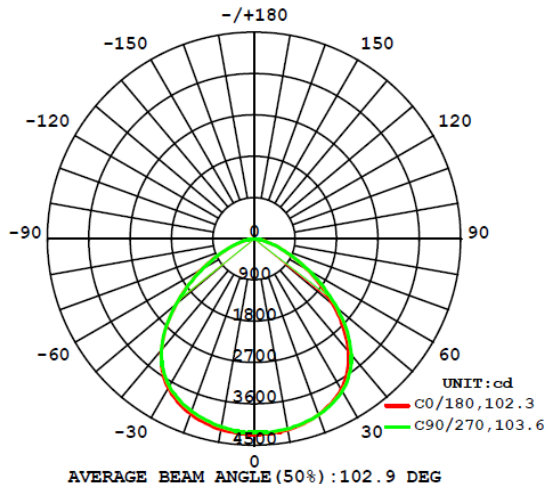
Description	Model No. on Product Label	Housing	EAN40
FLOODLIGHT LED PRO 70W/6500K VS1G2LEDVO	LDV-FLP-70W-AM-2	Black	4058075069671
FLOODLIGHT LED PRO 70W/3000K VS1G2LEDVO	LDV-FLP-70W-AM-2		4058075069688
FLOODLIGHT LED PRO 100W/6500K VS1G2LEDVO	LDV-FLP-100W-AM-2		4058075069695
FLOODLIGHT LED PRO 100W/3000K VS1G2LEDVO	LDV-FLP-100W-AM-2		4058075069701
FLOODLIGHT LED PRO 150W/6500K VS1G2LEDVO	LDV-FLP-150W-AM-2		4058075069718
FLOODLIGHT LED PRO 150W/3000K VS1G2LEDVO	LDV-FLP-150W-AM-2		4058075069725

Polar intensity diagram:

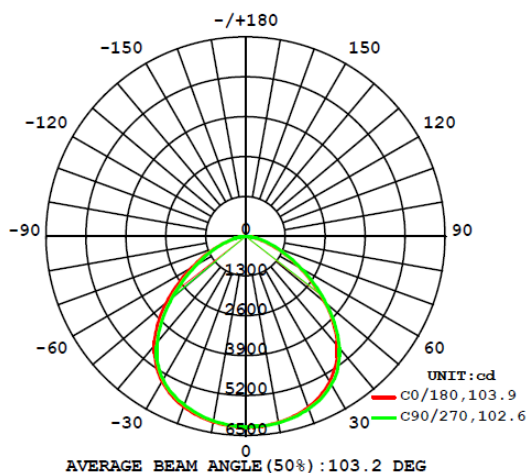
LED Floodlight Pro Gen2 70W



LED Floodlight Pro Gen2 100W

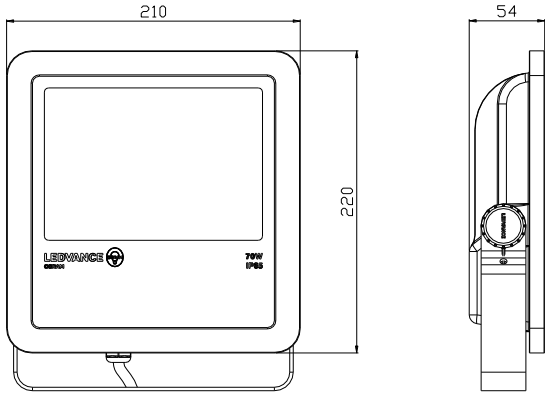


LED Floodlight Pro Gen2 150W

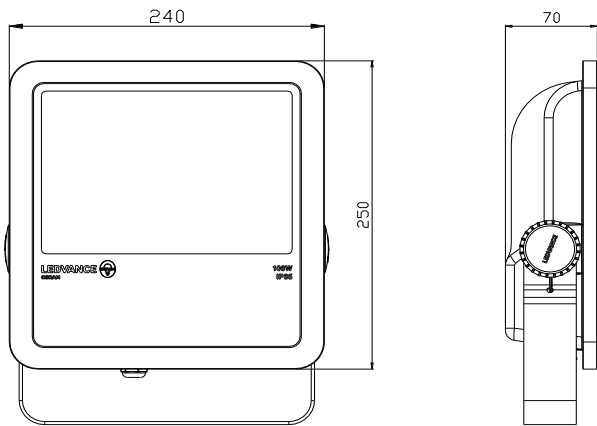


Drawing/Dimensions:

LED Floodlight Pro Gen2 70W



LED Floodlight Pro Gen2 100W



LED Floodlight Pro Gen2 150W

