

DATA SHEET

LEDVANCE Spot LED Gen2



LEDVANCE® Spot LED is an orientable low-profile, recessed-mounted LED spotlight for general illumination. The spotlight creates a natural lighting effect for use in general lighting applications. The standard cut-out and long lifetime make it an easy to use energy-saving replacement for traditional spotlights with MR16 reflector halogen lamps.

Product Features & Benefits

- Available in 3W & 5W
- High efficiency SMD with PC optical lens,
- High system lumen efficacy: >80 Lm/W
- Polycarbonate over aluminum housing reduces product weight and increases safety protection.
- Built-in high efficacy electronic driver
- Standard 3000K CCT
- High CRI >80
- Long 20,000hr lifetime reduces maintenance costs
- IP safe high efficient LED ensure system liability and legal risks free
- Pre-wired with mains cable
- Power factor improve to 0.5
- Safety Compliance Certificates - CCC & CB

Application Areas:

- Offices
- Residential
- Hospitality & retail shops
- Wall washing corridors

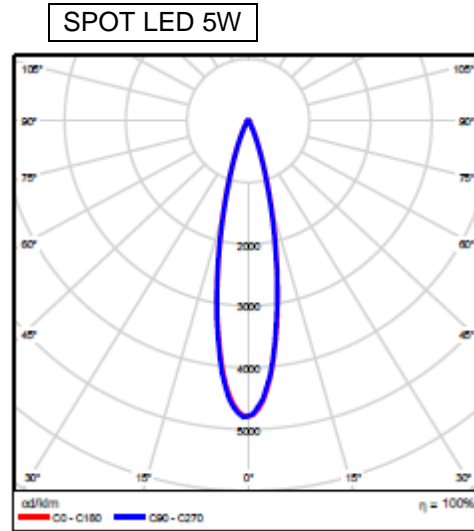
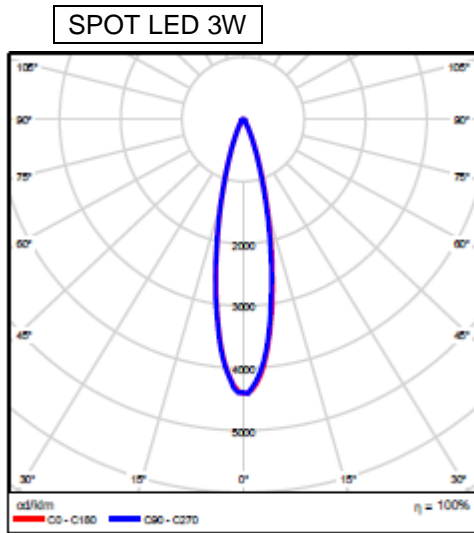
General Specifications

LEDVANCE Spot LED		Spot LED 3	Spot LED 5
Electrical Data	Wattage	3W	5W
	Voltage range	220 - 240VAC	
	Power factor	0.5	
	Input current(max)	30mA	45mA
	Line frequency	50/60Hz	
	Protection class	Class II	
Optical / Photometric	Rated lumens	250	420
	Candela(cd)	1300	1850
	CCT(K)	3000	
	CRI	80	
	Lumen efficacy	>85 lm/W	
	LED	SMD	
	Beam Angle	24°	
	Rated lifetime	20,000 hrs @ L70 25°C	
	Operating Temp.	-15 - +45°C	
	Storage Temp.	-40 - +70°C	
Housing	Material	Polycarbonate	
	Lens	Polycarbonate	
	Front ring colors	White (RAL9003)	
	Ingress protection	IP20	
	Driver	Integrated	
	Cut-out	75-80mm	

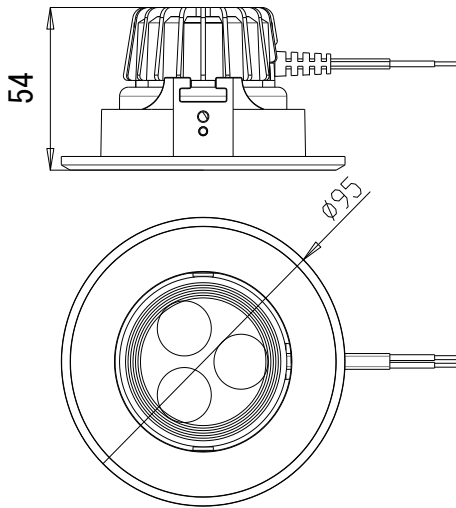
Ordering Codes:

Description	Model Number on Product Label	Shipping quantity	EAN10	EAN 40
SPOT LED AD 3W/3000K 50X1 LEDV	Spot LED-3W-AMP	50	4058075800861	4058075800878
SPOT LED AD 5W/3000K 50X1 LEDV	Spot LED-3W-AMP	50	4058075800885	4058075800892

Polar intensity diagram:



Drawing/Dimensions:



Max mm	Diameter	Height	Weight	Cut out
SPOT LED 3W	95	54	104	75-80
SPOT LED 5W	95	54	107	75-80